

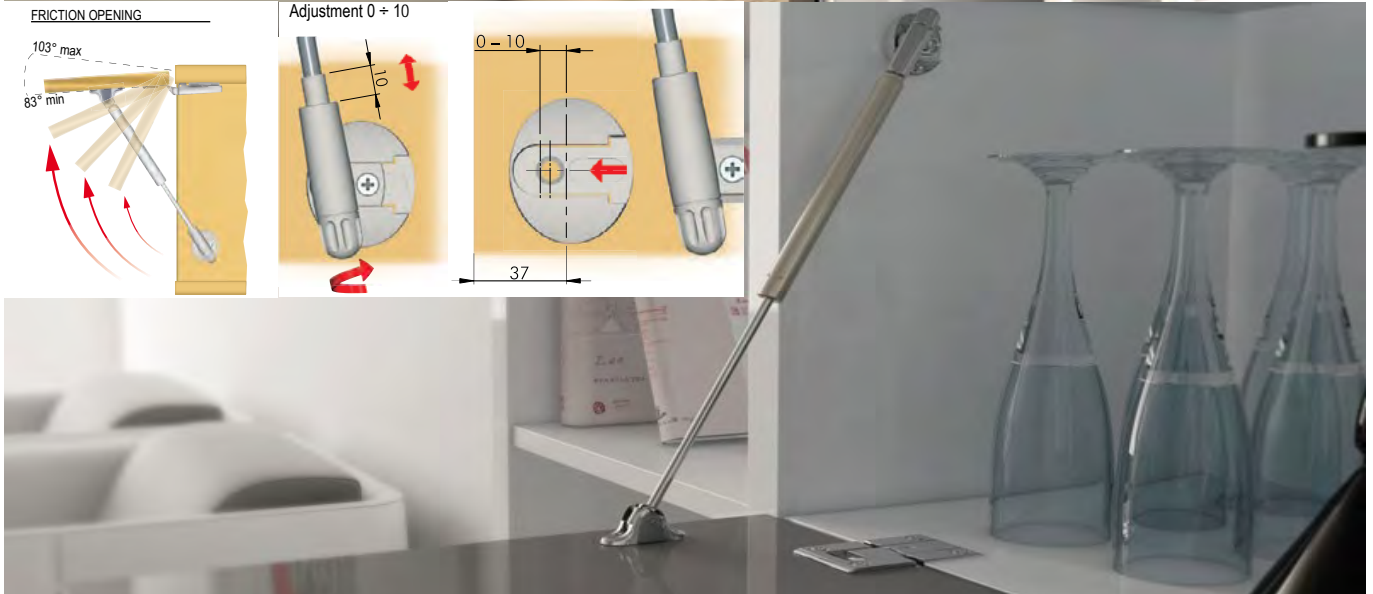


Kraby System

Kraby Lid Stay - Pull up & Drop down



- Frictional stay length available > 164mm(N45)/ 244mm(N45) / 355mm(N60-N90-N120)/ 480mm(N90-N120)
- Automatic stay length available > 355mm(N80-N100-N120)
- Drop down length available > 164/ 244/ 355mm
- Door alignment adjuster. (exclusive)



Frictional Stay & Drop Down Stay Length - 164mm Frictional Stay & Drop Down Stay Length - 244mm Frictional Stay/ Drop Down Stay & Automatic Opening Length - 355mm Frictional Stay Length - 480mm

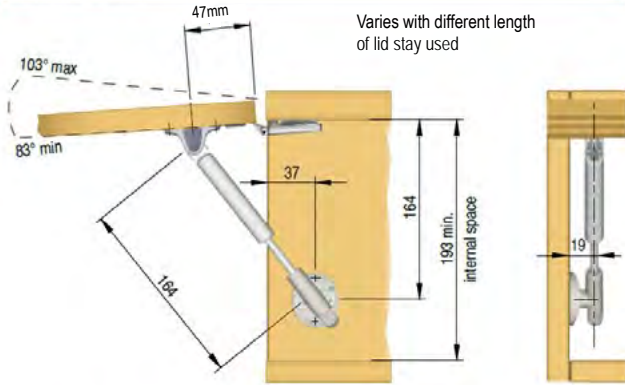
KRABY is the new gas and oil stay conception with a completely new design to open flap doors. It has been conceived to be installed by using standard automatic drilling processes. It is available in several newton strengths to suit small - medium - big - maxi size doors. It can be fixed directly on solid doors or wider aluminium frame section doors. For small aluminium sections a range of special adaptors is available.

Available in **Automatic S.F. version, once you begin to open the door, it continues to open gently and completely by itself.**

Available in **Friction version, the stay holds the door in any position required.**

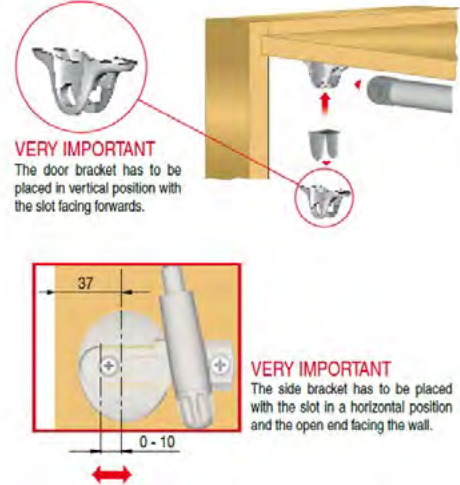
KRABY is available also to open drop down doors. It is available in one Newton strength only to suit big size doors. Once you begin to open the door, it continues to open gently and completely by itself because of a special slow down system.

DRILLING PLAN

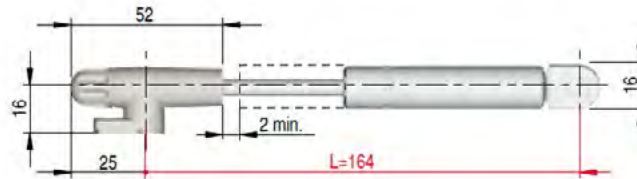


The dimensions of the above drilling plan refer to carcasses which use **standard sprung hinges** and mounting plates 0mm.

DETAILS



TECHNICAL DRAWING AND CHART TO FIND THE RIGHT STRENGTH

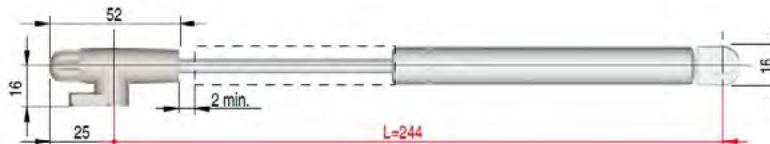


FRICTION OPENING VERSION

Width door (mm)	450		600		900		1200	
	Kg	Stays x N	Kg	Stays x N	Kg	Stays x N	Kg	Stays x N
230 - 250	1,2 - 1,3	1 x 45	1,6 - 1,8	1 x 45	2,4 - 2,6	2 x 45	3,2 - 3,5	2 x 45
251 - 300	1,3 - 1,6	1 x 45	1,8 - 2,1	2 x 45	2,6 - 3,2	2 x 45	3,5 - 4,2	2 x 60

Strenght (N)	45	60
Part. no	42001010NN	42002010NN

The above charts refer to chipboard or MDF 18 mm doors and aluminium frame doors with glass 4 mm thick. These are experimental results to be checked by the customer.



These charts refer to chipboard or MDF 18mm doors and aluminium frame doors with glass 4mm thick. These are experimental results to be checked by the customer. Our technical department is at your disposal to test further cases out of this chart.

FRICTION OPENING VERSION

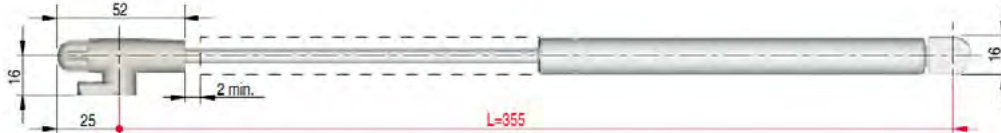
Width door (mm)	450		600		900		1200		1500	
	Kg	Stays x N	Kg	Stays x N	Kg	Stays x N	Kg	Stays x N	Kg	Stays x N
300 - 350	1,6 - 1,8	1 x 45	2,1 - 2,5	1 x 60	3,2 - 3,7	1 x 90	4,2 - 4,9	2 x 45	5,3 - 6,1	2 x 60
351 - 400	1,8 - 2,1	1 x 45	2,5 - 2,8	1 x 60	3,7 - 4,2	2 x 45	4,9 - 5,6	2 x 60	6,1 - 7,0	2 x 90
401 - 450	2,1 - 2,4	1 x 60	2,8 - 3,2	2 x 45	4,2 - 4,7	2 x 60	5,6 - 6,3	2 x 90	7,0 - 7,9	2 x 90
451 - 500	2,4 - 2,6	2 x 45	3,2 - 3,5	2 x 60	4,7 - 5,3	2 x 60	6,3 - 7,0	2 x 120	-	-
501 - 550	2,6 - 2,9	2 x 45	3,5 - 3,9	2 x 60	5,3 - 5,8	2 x 90	7,0 - 7,7	2 x 120	-	-

Strenght (N)	45	60
Part. no	42011010NN	42012010NN

Strenght (N)	90	120
Part. no	42013010NN	42014010NN

Technical

TECHNICAL DRAWING AND CHART TO FIND THE RIGHT STRENGTH



FRICITION OPENING VERSION

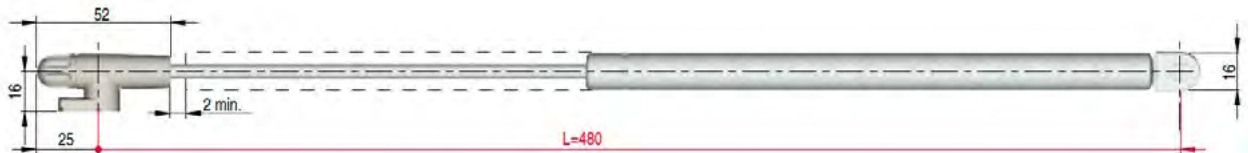
Width door (mm)	450		600		900		1200		1500		1800	
Height door (mm)	Kg	Stays x N	Kg	Stays x N	Kg	Stays x N	Kg	Stays x N	Kg	Stays x N	Kg	Stays x N
400 - 450	2,1 - 2,4	1 x 60	2,8 - 3,2	2 x 45	4,2 - 4,7	2 x 45	5,6 - 6,3	2 x 60	7,0 - 7,9	2 x 60	8,4 - 9,5	2 x 90
451 - 500	2,4 - 2,6	1 x 60	3,2 - 3,5	2 x 45	4,7 - 5,3	2 x 45	6,3 - 7,0	2 x 60	7,9 - 8,8	2 x 90	9,5 - 10,5	2 x 90
501 - 550	2,6 - 2,9	1 x 60	3,5 - 3,9	2 x 45	5,3 - 5,8	2 x 60	7,0 - 7,7	2 x 90	8,8 - 9,7	2 x 90	10,5 - 11,6	2 x 120
551 - 600	2,9 - 3,2	2 x 45	3,9 - 4,2	2 x 60	5,8 - 6,3	2 x 60	7,7 - 8,4	2 x 90	9,7 - 10,5	2 x 120	-	-
601 - 650	3,2 - 3,4	2 x 60	4,2 - 4,6	2 x 60	6,3 - 6,8	2 x 90	8,4 - 9,1	2 x 120	-	-	-	-
651 - 700	3,4 - 3,7	2 x 60	4,6 - 4,9	2 x 60	6,8 - 7,4	2 x 90	9,1 - 9,8	2 x 120	-	-	-	-

Streight (N)	45	60	90	120
Part. no	42030010NN	42031010NN	42032010NN	42033010NN

AUTOMATIC OPENING VERSION

Width door (mm)	450		600		900		1200		1500		1800	
Height door (mm)	Kg	Stays x N	Kg	Stays x N	Kg	Stays x N	Kg	Stays x N	Kg	Stays x N	Kg	Stays x N
400 - 450	2,1 - 2,4	1 x 80	2,8 - 3,2	2 x 50	4,2 - 4,7	2 x 50	5,6 - 6,3	2 x 80	7,0 - 7,9	2 x 80	8,4 - 9,5	2 x 100
451 - 500	2,4 - 2,6	1 x 80	3,2 - 3,5	2 x 50	4,7 - 5,3	2 x 80	6,3 - 7,0	2 x 80	7,9 - 8,8	2 x 100	9,5 - 10,5	2 x 120
501 - 550	2,6 - 2,9	1 x 80	3,5 - 3,9	2 x 50	5,3 - 5,8	2 x 80	7,0 - 7,7	2 x 100	8,8 - 9,7	2 x 120	-	-
551 - 600	2,9 - 3,2	2 x 50	3,9 - 4,2	2 x 80	5,8 - 6,3	2 x 80	7,7 - 8,4	2 x 120	-	-	-	-
601 - 650	3,2 - 3,4	2 x 80	4,2 - 4,6	2 x 80	6,3 - 6,8	2 x 100	8,4 - 9,1	-	-	-	-	-
651 - 700	3,4 - 3,7	2 x 80	4,6 - 4,9	2 x 80	6,8 - 7,4	2 x 120	9,1 - 9,8	-	-	-	-	-

Streight (N)	50	80	100	120
Part. no	42130010NN	42131010NN	42132010NN	42133010NN



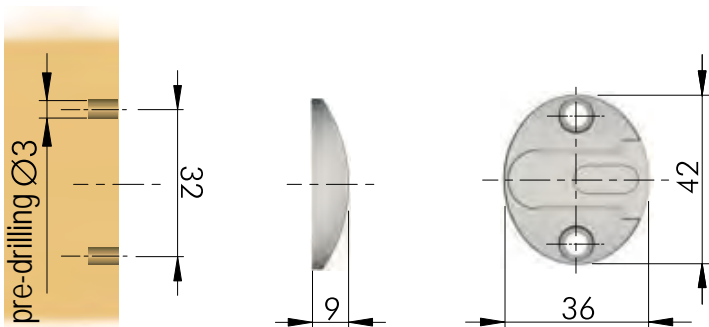
FRICITION OPENING VERSION

Width door (mm)	450		600		900		1200		1500		1800	
Height door (mm)	Kg	Stays x N	Kg	Stays x N	Kg	Stays x N	Kg	Stays x N	Kg	Stays x N	Kg	Stays x N
520 - 550	2,6 - 2,9	1 x 45	3,5 - 3,9	1 x 60	5,3 - 5,8	1 x 60	7,0 - 7,7	2 x 45	8,8 - 9,7	2 x 60	10,5 - 11,6	2 x 60
551 - 600	2,9 - 3,2	1 x 45	3,9 - 4,2	1 x 60	5,8 - 6,3	1 x 90	7,7 - 8,4	2 x 60	9,7 - 10,5	2 x 60	11,6 - 12,6	2 x 90
601 - 650	3,2 - 3,4	1 x 45	4,2 - 4,6	1 x 90	6,3 - 6,8	1 x 90	8,4 - 9,1	2 x 60	10,5 - 11,4	2 x 90	12,6 - 13,7	2 x 90
651 - 700	3,4 - 3,7	1 x 60	4,6 - 4,9	1 x 90	6,8 - 7,4	2 x 45	9,1 - 9,8	2 x 90	11,4 - 12,3	2 x 120	13,7 - 14,7	2 x 120

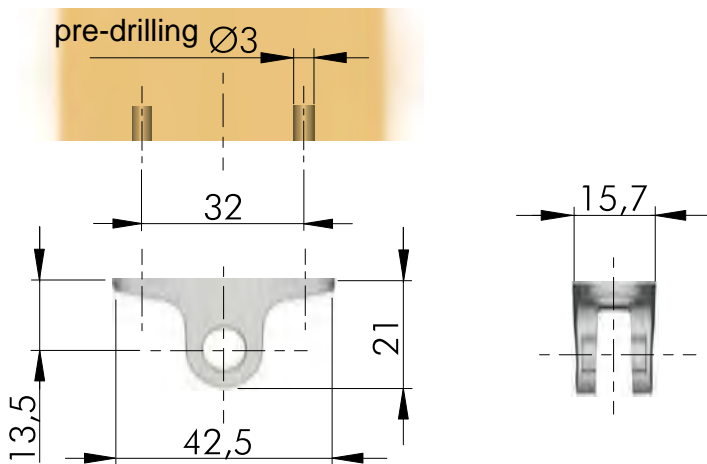
Streight (N)	45	60	90	120
Part. no	42050010NN	42051010NN	42052010NN	42053010NN

Technical

Bracket for KRABY
Side bracket with 2 countersunk holes for Ø4x18mm screws or Ø5.9x12.7mm euro screws
Zinc alloy

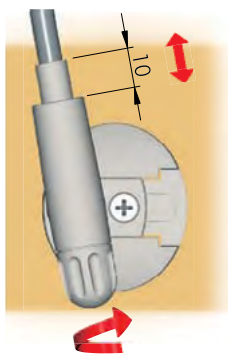


Bracket for KRABY
Door bracket with 2 countersunk holes for Ø4x18mm screws or Ø5.9x12.7mm euro screws
Zinc alloy



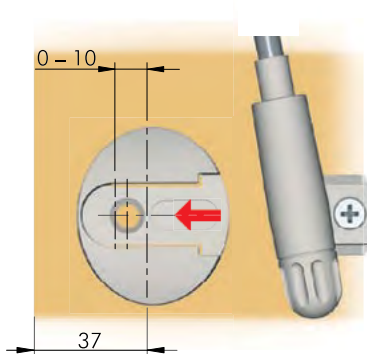
ADJUSTMENT OF THE DOOR OPENING ANGLE

Adjustment 0 ÷ 10

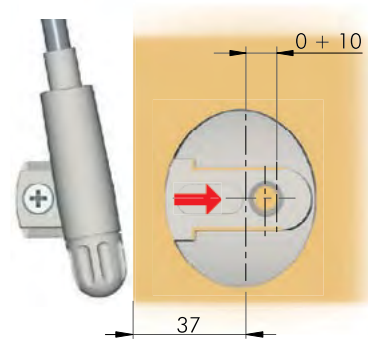


ADJUSTMENT OF THE DOOR CLOSING STRENGTH

Standard Closing



Soft Closing



Technical

STANDARD SPRUNG HINGE

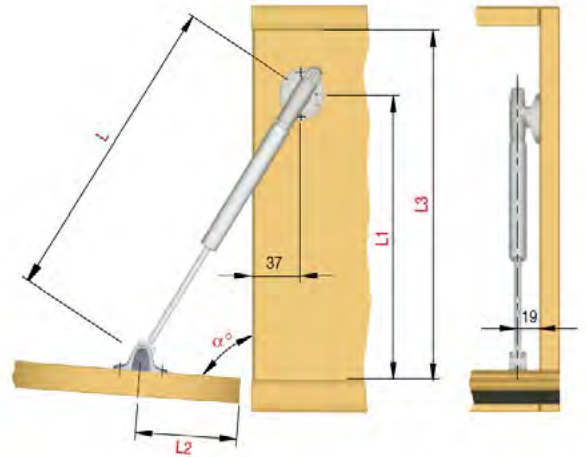
Part.no	L (mm)	L1 (mm)	L2 (mm)	L3 (mm)	α°
42201010NN	164	164	47	193 min.	$\frac{103^\circ \text{max}}{83^\circ \text{min.}}$
42210010NN	244	240	84	270 min.	$\frac{94^\circ \text{max}}{83^\circ \text{min.}}$
42230010NN	355	345	135	374 min.	$\frac{90^\circ \text{max}}{83^\circ \text{min.}}$

The dimensions of the above drilling plan refer to carcasses which use **standard sprung hinges** and mounting plates 0mm.

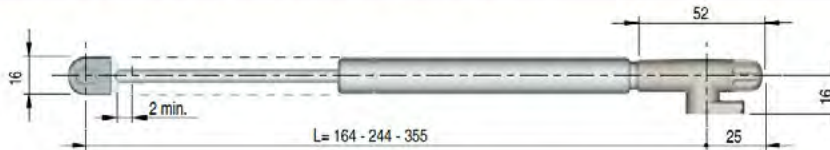
FLAP HINGE

Part.no	L (mm)	L1 (mm)	L2 (mm)	L3 (mm)	α°
42201010NN	164	170	50	199 min.	$\frac{90^\circ \text{max}}{70^\circ \text{min.}}$
42210010NN	244	240	84	270 min.	$\frac{90^\circ \text{max}}{80^\circ \text{min.}}$
42230010NN	355	342	130	371 min.	$\frac{90^\circ \text{max}}{83^\circ \text{min.}}$

The dimensions of the above drilling plan refer to carcasses which use **flap hinges**.



TECHNICAL DRAWING AND CHART TO FIND THE RIGHT STRENGTH



DROP DOWN

Width door (mm)	1200 max.	
Height door (mm)	Stays	Kg
225 - 250	2xL 164mm	<3,5
301 - 350	2xL 244mm	<4,9
401 - 450	2xL 355mm	<6,3

This chart refers to chipboard or MDF 18mm doors and aluminium frame doors with glass 4mm thick. These are experimental results to be checked by the customer. For a better function and for safety reasons, we suggest to use at least two stays per piece of furniture (extra-size doors might require 3 or more gas stays). For doors whose weights/dimensions are bigger than those reported on the chart, please increase the number of stays accordingly. Please make sure that gas stays are properly regulated in height through the opposite rotary knob so that the weight of the door is equally distributed amongst the stays used. Our technical department is at your disposal to test further cases out of this chart.

ASSEMBLING

