

## SNELLO BASE UNIT PULL - OUT

- Soft-closing and soft-opening mechanism
- Optimal use of space
- Straight forward assembly with 3 adjustable directions
- Variable shelf width > **150/ 300mm**
- Standard shelf height > **520mm**
- Standard shelf depth > **475mm**
- Finishes > Anthracite



The base unit pull-out with closed, removable - and therefore easy to clean - storage shelves for widths of 150 or 300 mm. The space - saving pull - out system for compact kitchens.

### DISTINGUISHING FEATURES:

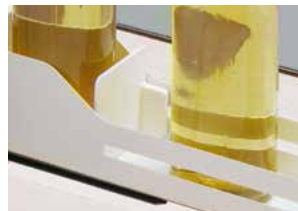


- Special pull - out for narrow base units ( 150- 300 mm )
- Great for storing spices, cleaning materials or bottles



- The shelves are easy to remove for cleaning
- The shelves closed bases stop bottles from toppling and small items from through
- Moves smoothly and quietly

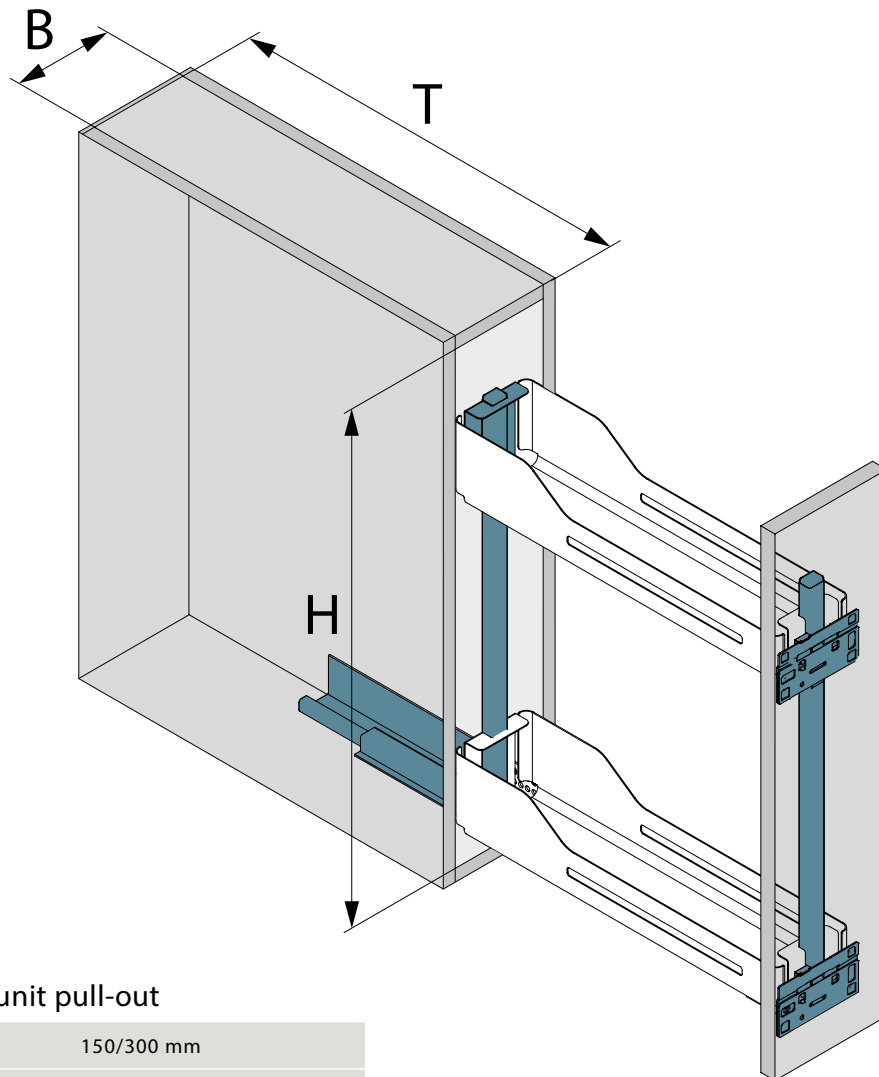
### OPTIONS:



- **Divider (100.0706.43)**  
Magnetic dividers are a flexible way for you to organise the space in your unit and stop bottles from toppling
- **Optional:**

### Finishes available: Anthracite

- for 150 mm ( 200.1272.43 )
- for 300 mm ( 200.1283.43 )



**Snello base unit pull-out**

B= Unit widths	150/300 mm
T= Interior depth	475 mm
H= Interior height	520 mm