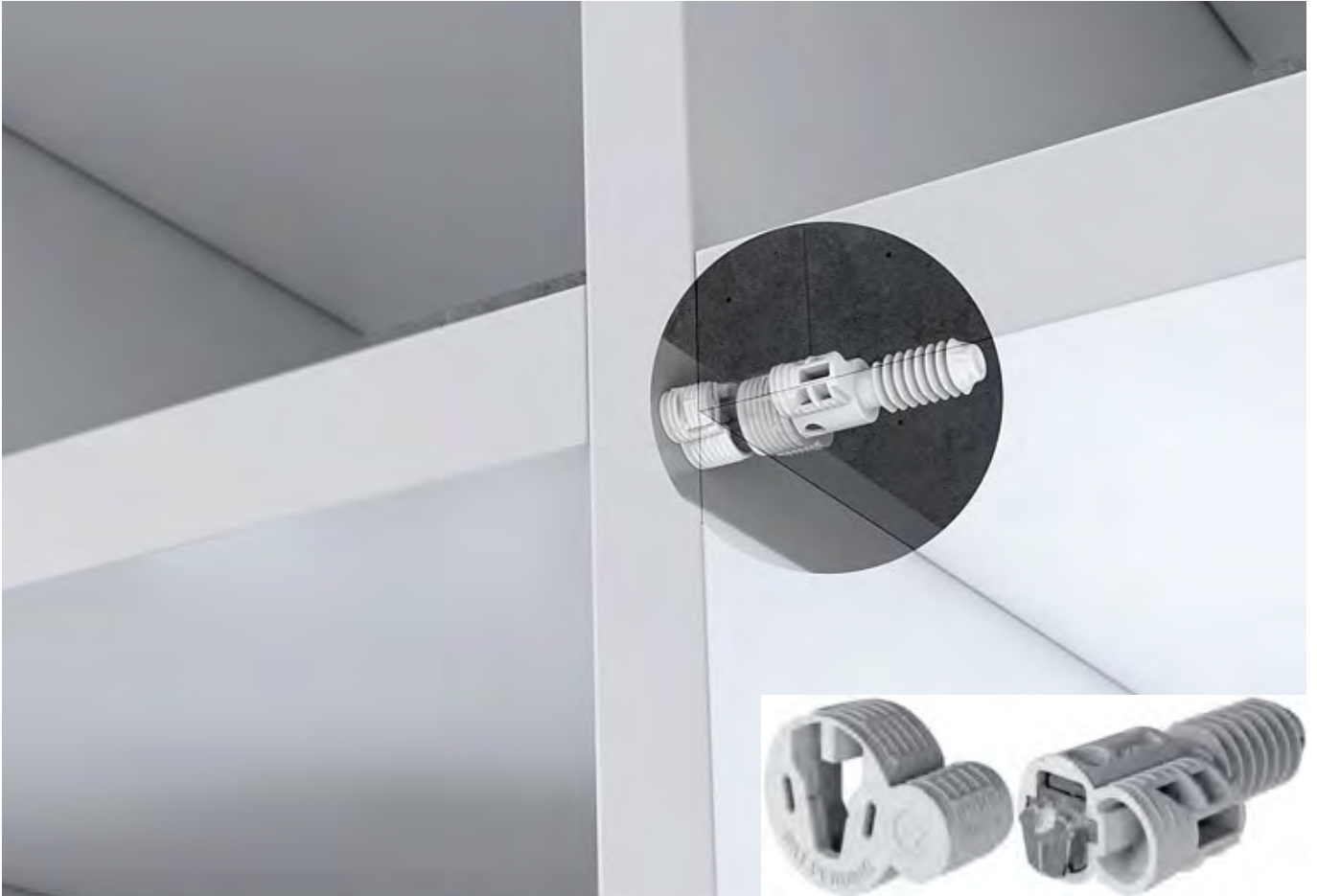




SECRET Shelf Support

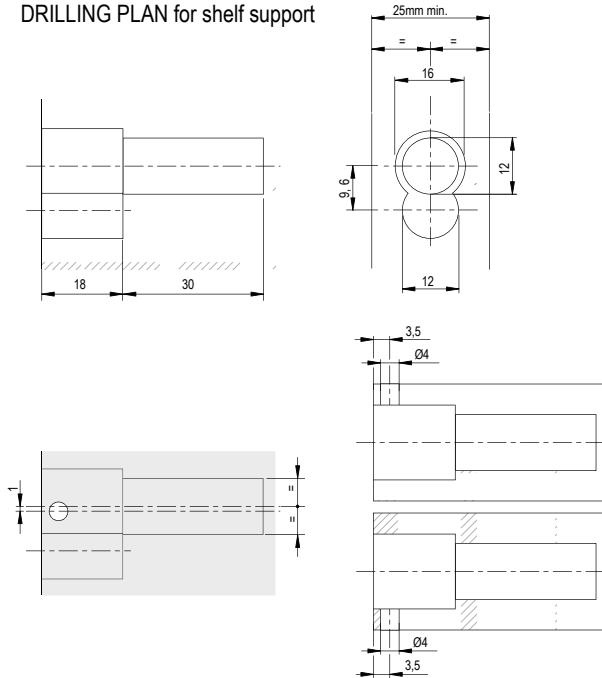
- Minimum shelf thickness > 25mm
- Integrated shelf locking



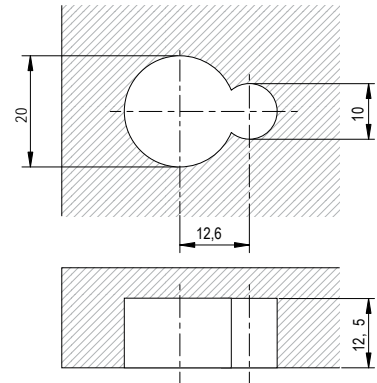
SECRET is the new hidden shelf support by Italiana Ferramenta, the only one that guarantees both the shelf locking and unlocking. The shelf support SECRET is completely hidden, even when used on bifacial furniture. The hanging system provides a structural junction between the shelf and the side panel, thus making SECRET suitable even for constructions with flap and drop-down doors. When flap and drop-down doors are required, the shelf can be fully locked by using an hexagonal key S 2,5. The hole for the shelf locking can be drilled on either the upper or the lower side of the shelf. SECRET allows the customer to fix and remove the shelves in an easy and intuitive way. The furniture processing doesn't require any milling; simply drilling.

Technical

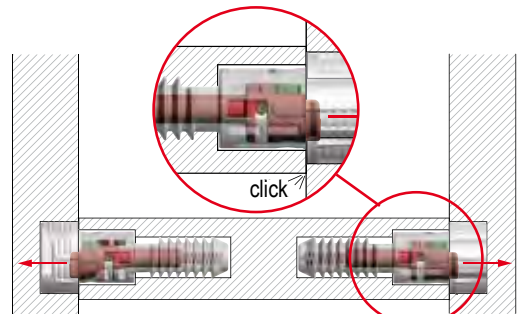
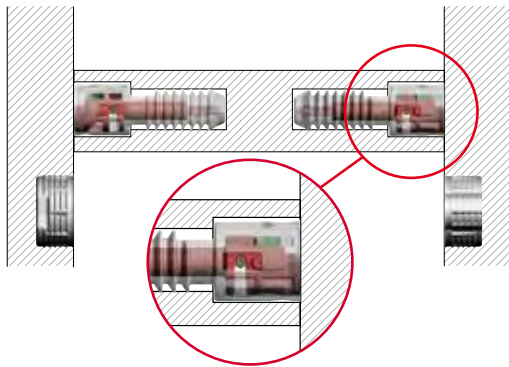
DRILLING PLAN for shelf support



DRILLING PLAN for side bush

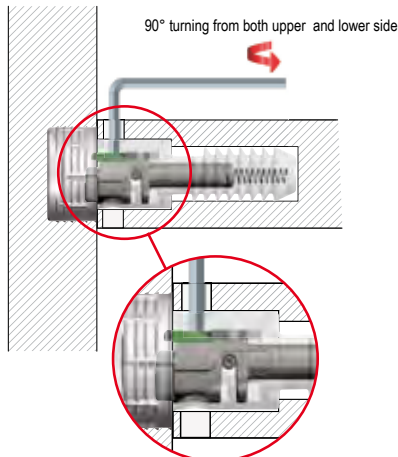


SHELF PLACEMENT



Automatic locking

SHELF LOCKING



SHELF UNLOCKING

