



## VersaHIT Dual Combi

Electrical and data connection module



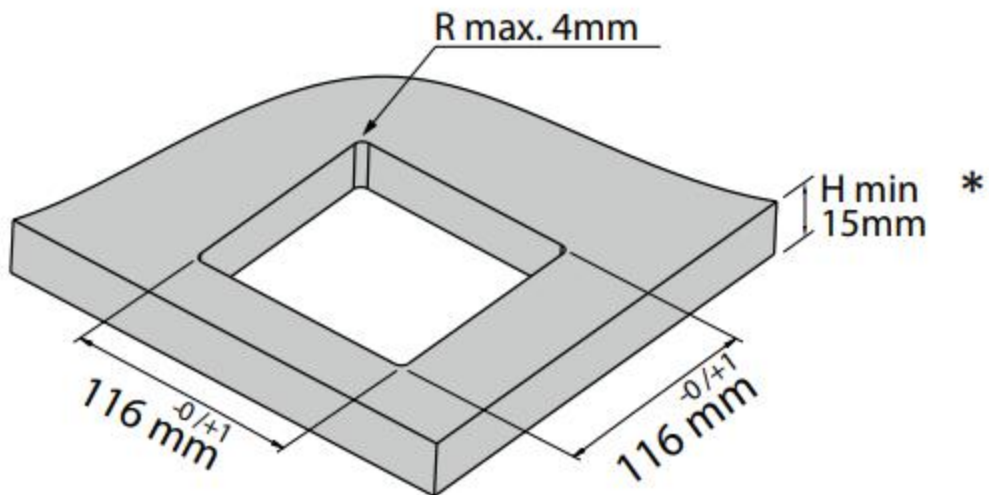
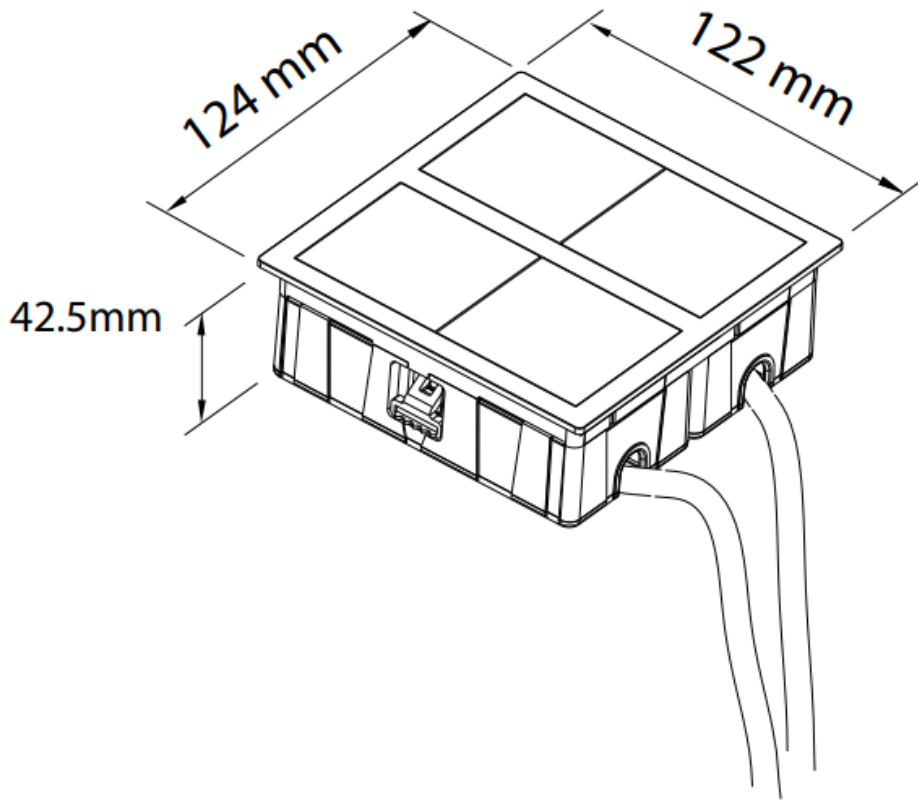
- mechanisms within VersaHit are designed to operate inside the unit, preventing any movements that might cause friction from harming the surface on which VersaHit is installed
- enables the product to be installed on sofas and armchairs without the risk of damaging the upholstery
- equipped with an IP54 certification when closed. The rubber seal prevents the ingress of dust and water, ensuring safe and functional use, especially in environments prone to moisture, such as kitchens
- anchoring system through special aluminium hooks enables top-down installation
- VersaHit features a cable system that can be adjusted up to 90°, simplifying installation near drawers and appliances without increasing the product's depth



# VersaHIT Dual Combi

Electrical and data connection module

- Technical



\* For marble/glass tops: 15-20 mm