



TRIADE

Concealed mounting bracket



- Available in TRIADE/ TRIAIDE MAXI & TRIAIDE XXL
- Variable shelf thickness > min. 25 to 40mm
- Variable load capacity for variable shelf depth > min. 15 to 20KG
- Provided with 3 independent adjustments.



TRIADE
Load capacity of 15KG per piece
Maximum shelf length 300mm
Minimum shelf depth 160mm
Shelf thickness of 25 to 40mm



TRIAIDE MAXI
Load capacity of 20KG per piece
Maximum shelf length 400mm
Minimum shelf depth 200mm
Shelf thickness of minimum 40mm



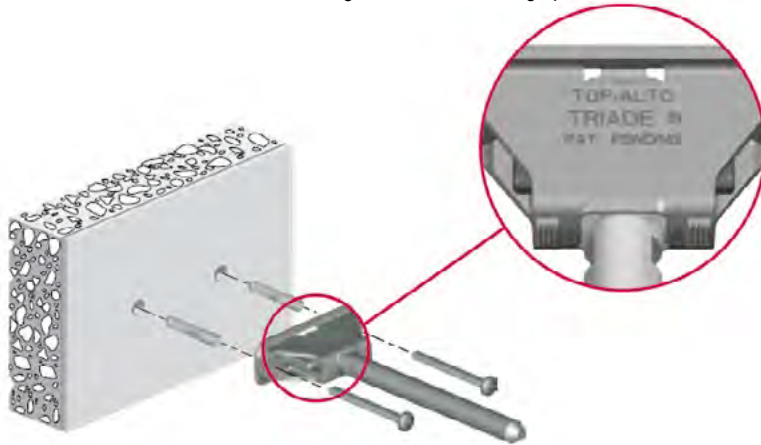
TRIAIDE XXL for honeycomb shelves
Load capacity of 20KG per piece
Maximum shelf length 400mm
Minimum shelf depth 300mm
Shelf thickness of minimum 40mm

TRIADE is the concealed mounting bracket for various shelves minimum 25 to 40mm thickness. It has been conceived to simplify the shelf installation. It is provided with 3 independent adjustments; vertical, horizontal and inclination. The capacity loading varies from minimum 15 to 20KG per piece for various shelf depth.

FIXING TO CEMENT WALL

VERY IMPORTANT

Triade has to be installed with the writing "TOP - ALTO" facing upwards.

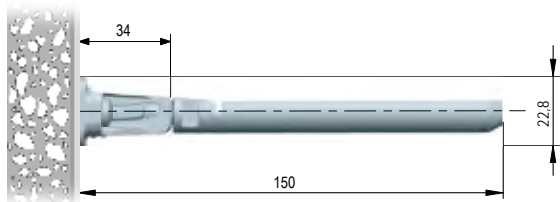


Fixing:

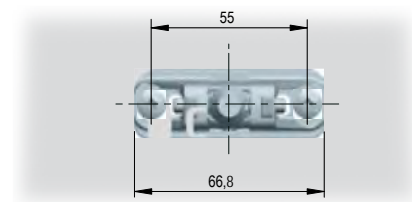
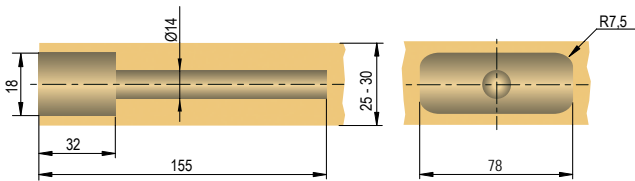
- to cement wall with wall plugs \varnothing 8mm & pan head screws \varnothing 5x50mm.
- to wood panels with pan head wood screws \varnothing 5mm.
- to plaster boards with umbrella fittings \varnothing 8mm & pan head screw M4x46mm.

It is the responsibility of the customer:

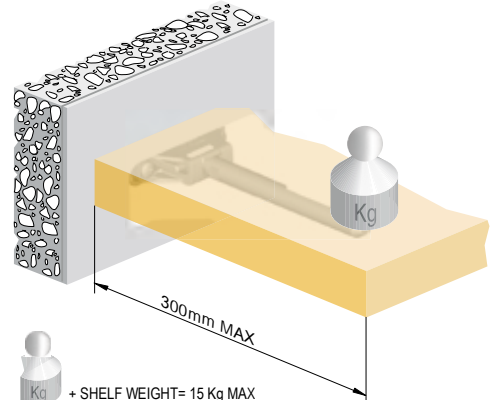
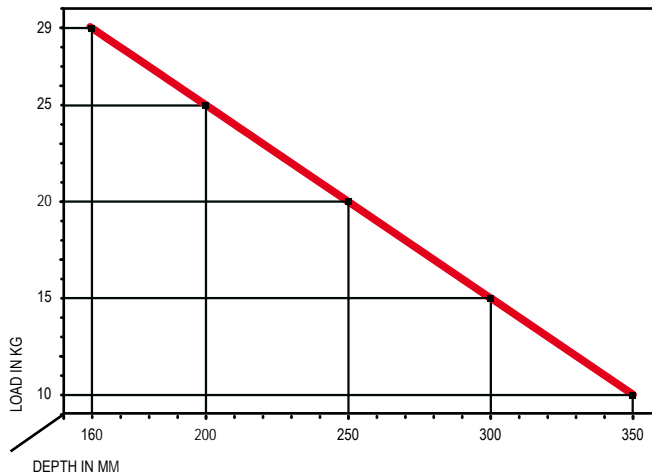
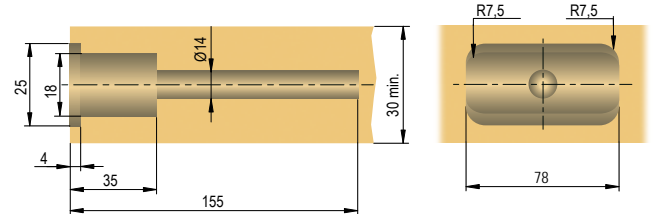
- to ensure the wall is of a suitable quality to hold the shelf fixing in place.
- to use the proper hardware fittings according to the construction of the wall.



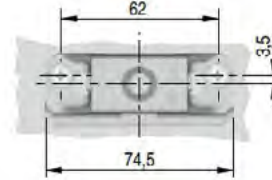
For shelf 25-30mm thick



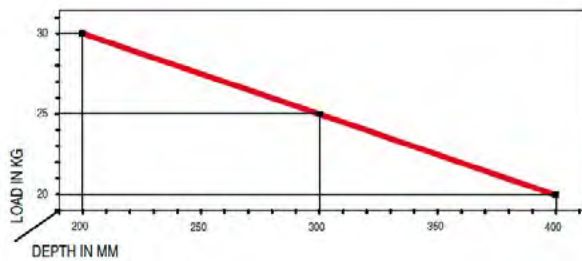
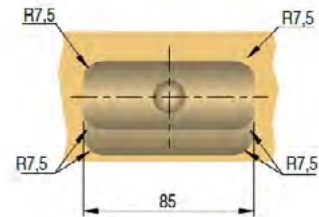
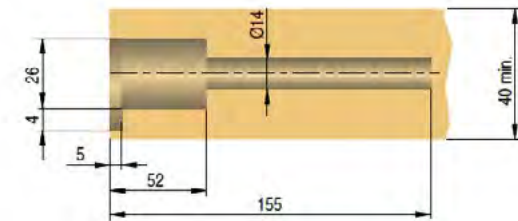
For shelf 30mm thick and above



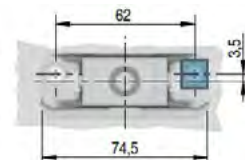
TRIADE MAXI



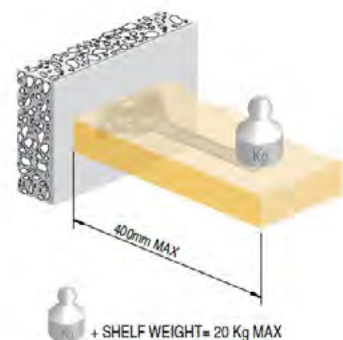
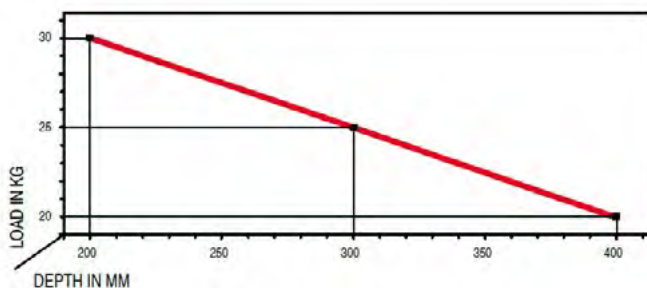
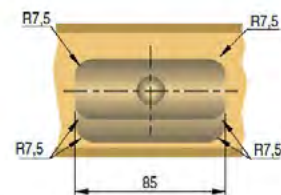
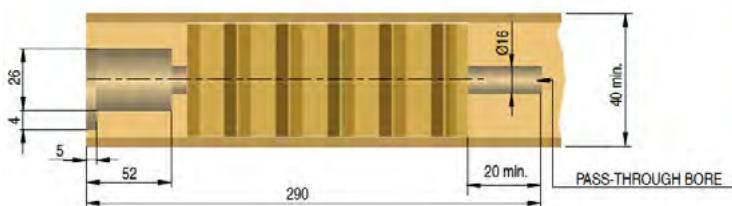
VERY IMPORTANT
Centre of the hole is shifted 3,5mm upwards.
Please keep in mind when levelling the shelf.



TRIADE XXL



VERY IMPORTANT
Centre of the hole is shifted 3,5mm upwards.
Please keep in mind when levelling the shelf.

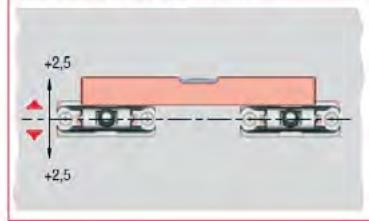


VERTICAL ADJUSTMENT

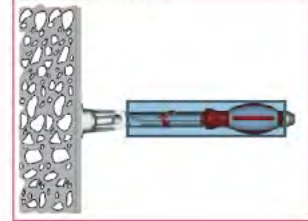
RELEASE THE FIXING SCREWS



ALIGN BRACKETS VERTICALLY ACCORDINGLY



TIGHT THE FIXING SCREWS

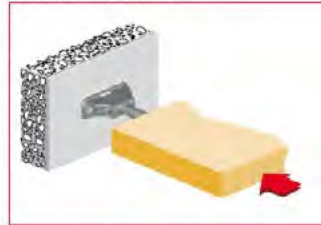


SHELF INSERTING AND HORIZONTAL ADJUSTMENT

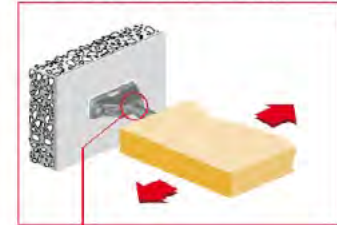
TILT THE SHELF TO MATCH BOTH SUPPORTING PINS AND SHELF HOUSINGS



INSERT PARTIALLY THE SHELF

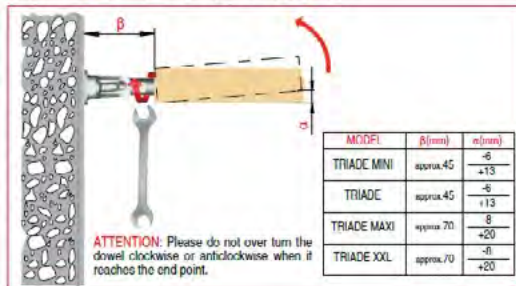


ADJUST THE SHELF HORIZONTALLY ACCORDING TO THE APPLICATION (i.e. MULTI-SHELF COMPOSITION)



INCLINATION ADJUSTMENT

TURN CLOCKWISE THE SUPPORTING PIN WITH A 12mm OPEN-ENDED WRENCH TO ADJUST THE SHELF ANGLE FRONT TO BACK ACCORDINGLY

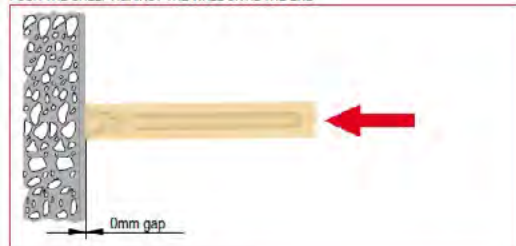


SCREW THE LOCKING BOLT TO BLOCK THE PIN



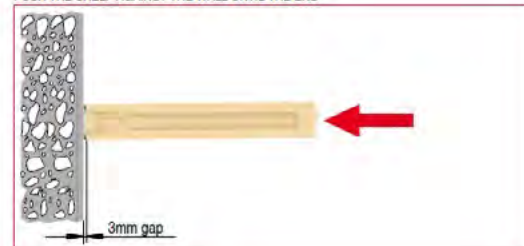
SHELF INSERTING FOR ALL TRIADE MODELS

PUSH THE SHELF AGAINST THE WALL UNTIL THE END

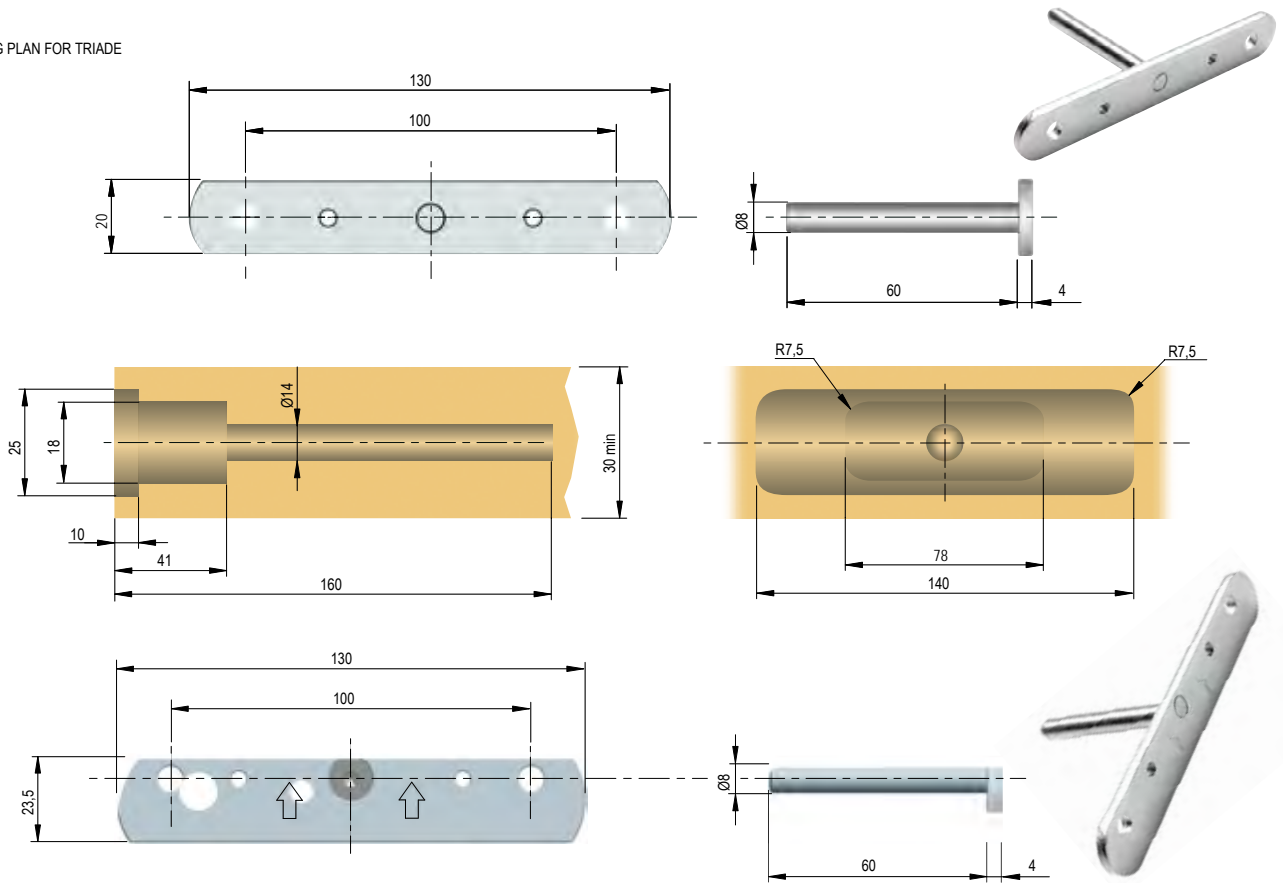


SHELF INSERTING FOR TRIADE MODEL ONLY, WITH DRILLING PLAN FOR SHELVES 25-29MM THICK

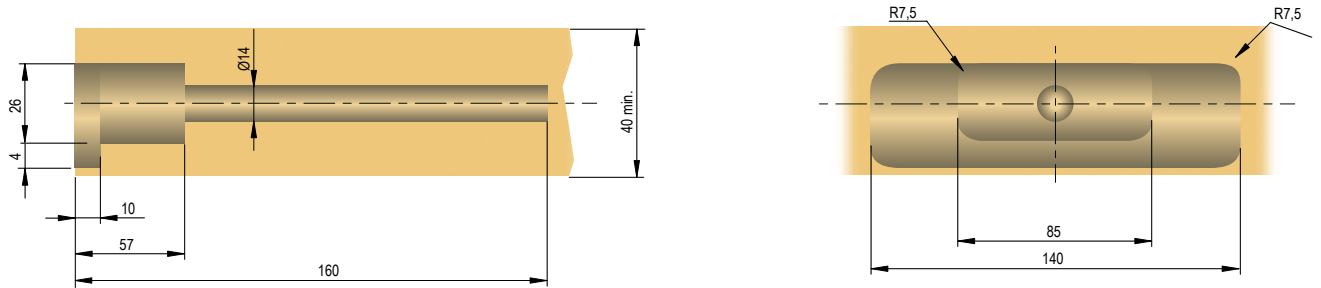
PUSH THE SHELF AGAINST THE WALL UNTIL THE END



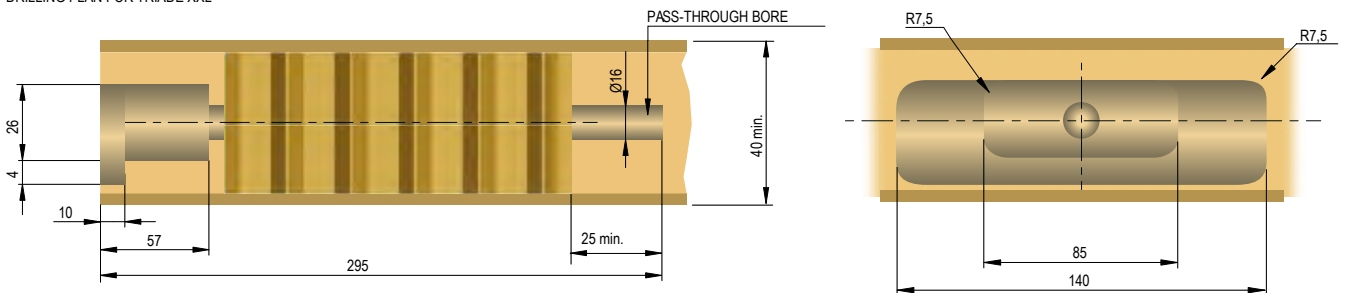
DRILLING PLAN FOR TRIADE



DRILLING PLAN FOR TRIADE MAXI

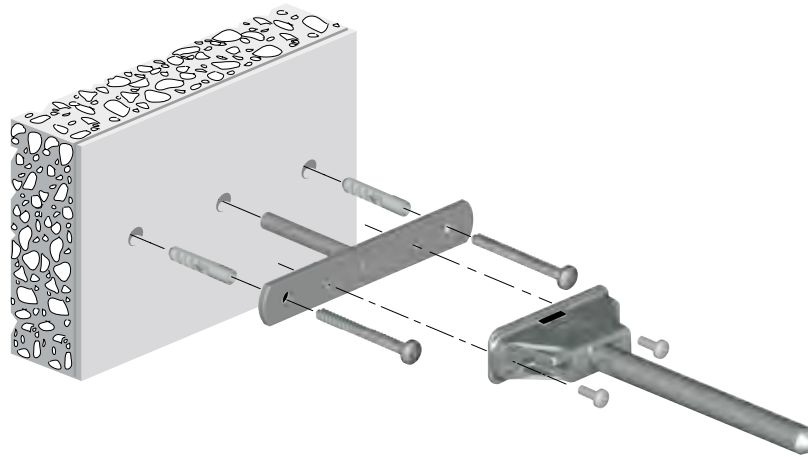


DRILLING PLAN FOR TRIADE XXL

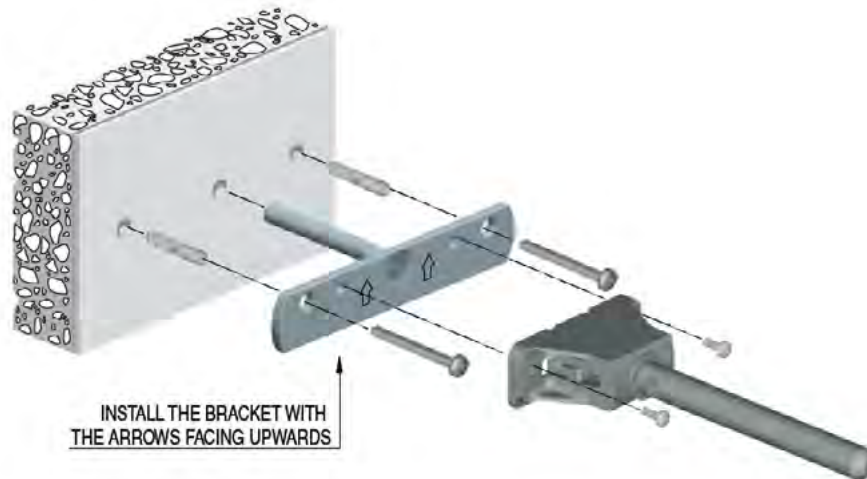


There are 2 types of bracket; BRACKET for TRIADE, and BRACKET for TRIADE MAXI & TRIADE XXL. The BRACKET for TRIADE models with pin is a valid complement to the concealed shelf support TRIADE. Ideal to improve the shelf support capacity loading by evenly distributing the shelf load on the wall through a $\varnothing 8$ mm pin. The $\varnothing 8$ mm pin allows to reduce the load taken by the two fixing screws.

FIXING TO WALL for TRIADE



FIXING TO WALL for TRIADE MAXI & TRIADE XXL



Fixing the TRIADE or TRIADE Maxi or TRIADE XXL onto the bracket with pan head screws M5x12mm.

Fixing the assembled TRIADE MAXI & bracket or TRIADE XXL & bracket:

- to cement wall with wall plugs \varnothing 8mm & pan head screws \varnothing 5x50mm.
- to wood panel with 2 pan head wood screws \varnothing 5mm.
- to plaster board with umbrella fittings \varnothing 8mm & pan head screws M4x46mm.

It is the responsibility of the customer:

- to ensure the wall is of a suitable quality to hold both the inserting of the bracket with pin and the TRIADE Maxi or TRIADE XXL in place.