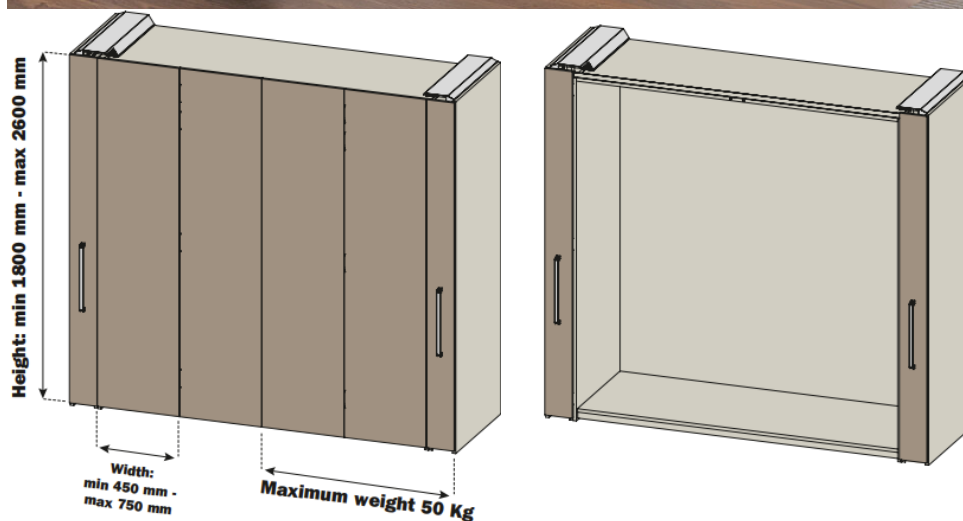


## Exedra2 Star

Double Pocket door system  
with assisted insertion

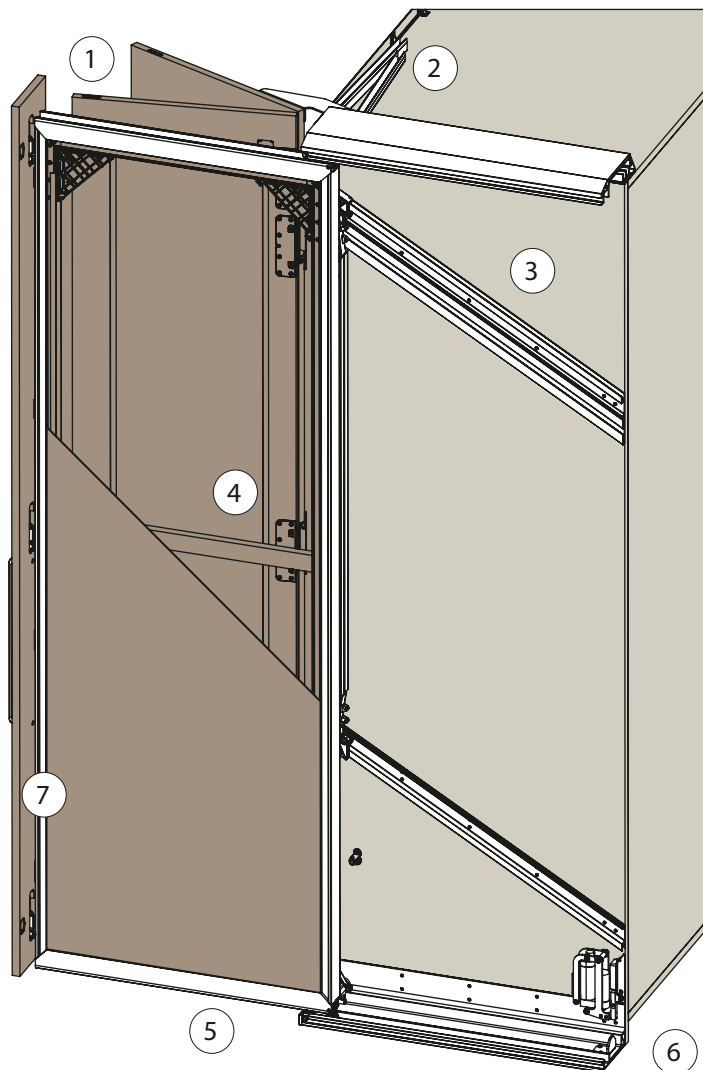
- Maximum Load per door > 25kg
- Standard width per door > 450mm - 750mm
- Height > 1800 mm - 2600 mm
- Thickness > 18mm - 25mm

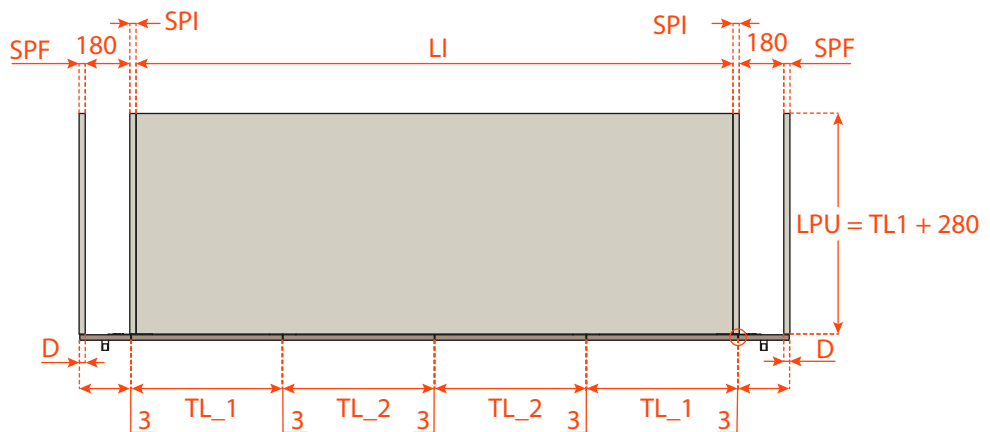
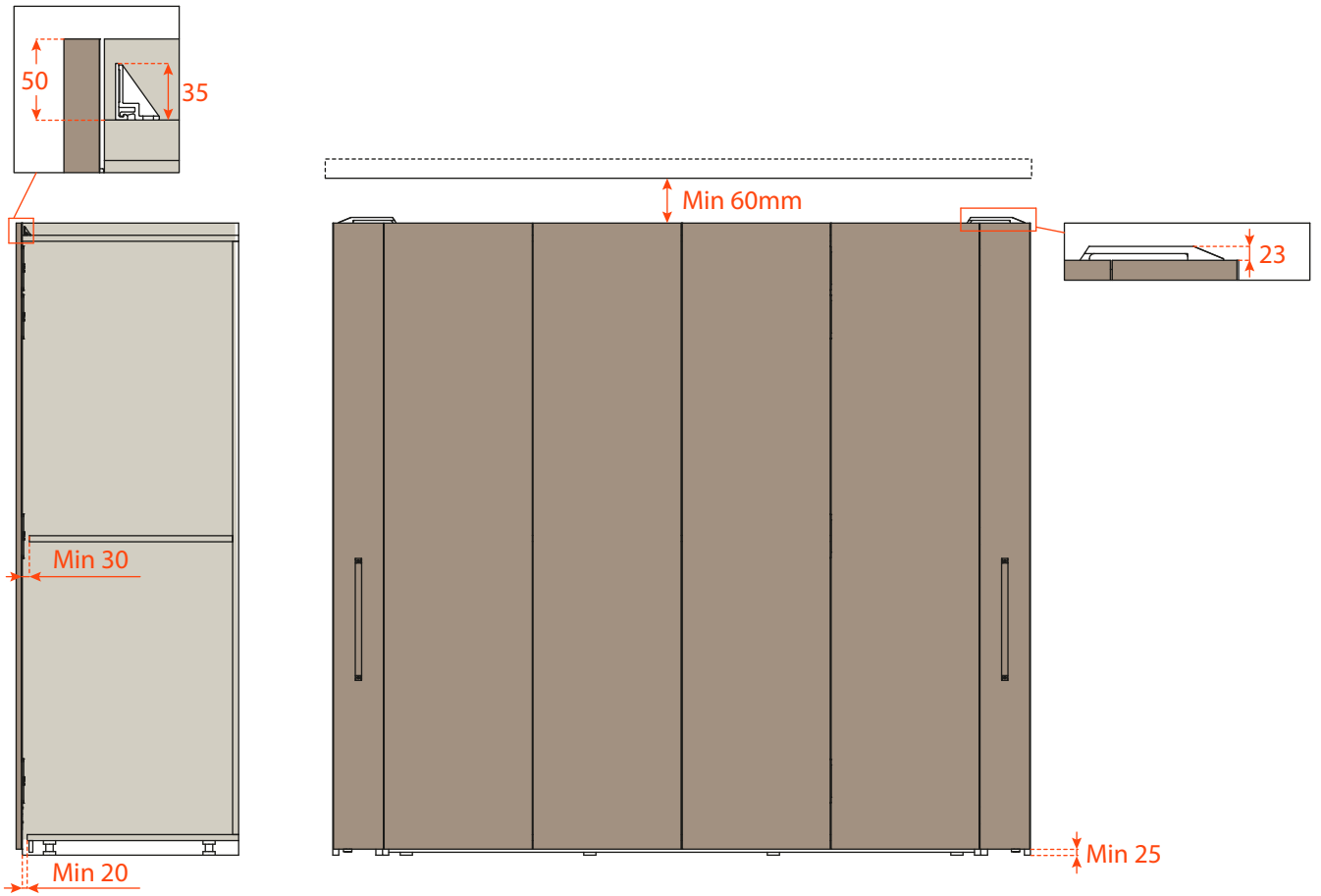


Exedra2 is a double pocket door system which is an evolution of the Exedra system, enabling the simultaneous movement of two linked doors. With Exedra2 Star, the compartment storing the mechanism is always hidden by the cover panel fixed to the front of the system. It is a patented mechanism with assisted door extraction and insertion, operated by magnetically-assisted motion-control system which allows a smooth and perfectly balanced movement. With the motion-control system, handles can be fixed at the edges of the doors, allowing effortless opening and closing with one hand. The smoothness of the movement, makes it very functional and practical. The right and left mechanism are independent of each other, hence it is possible to order individually. When installed on the same cabinet, they must be configured as a pair.

## Technical information

- 1 - Unique patented door opening system. The exterior surfaces of the doors are always protected during the opening and closing cycles.
- 2 - None load-bearing track on the top of the cabinet.
- 3 - Magnetic buffer for assisted cushioned doors insertion.
- 4 - Structural aluminium frame for doors movement.
- 5 - Frontal insertion of the load-bearing frame facilitating its installation in a wall recess.
- 6 - Side frame to support the lower load-bearing track. All of the load is carried by the side panel. The track does not require ground support.
- 7 - Anti-crush device.

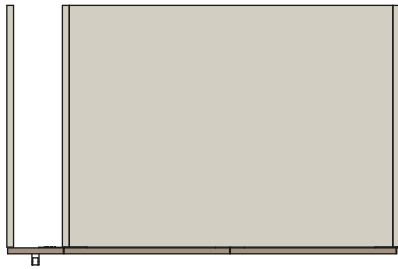




Exedra2 Star is the version where the compartment that houses the mechanism is always hidden by the cover panel which is fixed to the front of the system.

Exedra2 Star is the version where the compartment that houses the mechanism is always hidden by the cover panel which is fixed to the front of the system.

Single door, left mechanism



Single door, right mechanism



Double doors, pair of mechanism (left and right)

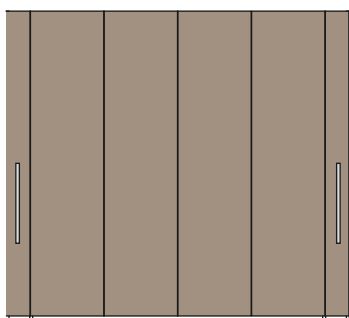


The Exedra2 system is the ideal mechanism in a host of applications. The absence of a frontal lower track makes it adaptable to any application, from traditional cabinets to walk-in wardrobes.

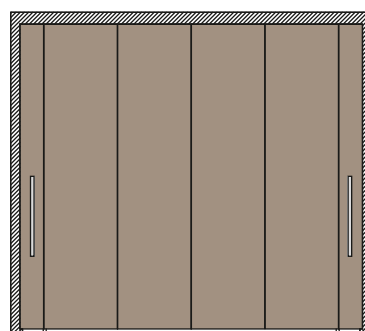
The system does not necessarily have to be placed on the floor, therefore it is possible to create systems raised from the ground or placed on a cupboard or a chest of drawers.

Thanks to the innovative door movement system with its moving load-bearing frame, the weight of the system and the doors is carried solely by the side of the cabinet; the system places no load on the top of the cabinet. As a result, double systems with an enormous free internal span of 3000 mm are possible without requiring a central panel or support.

Traditional



In wall recess



Raised from the ground

