

# OEKO COMPLET

## WASTE SYSTEM 40 + 6 + 1.2 Litres

- Soft opening and closing make for smooth, quiet movement
- Makes optimal use of space thanks to its generously - sized containers and additional storage
- Waste sorting and disposal is a piece of cake with Oeko Complet
- Waste bags of various sizes (15 to 50 litres) can be clipped into the frame quickly and easily
- Finishes > Anthracite

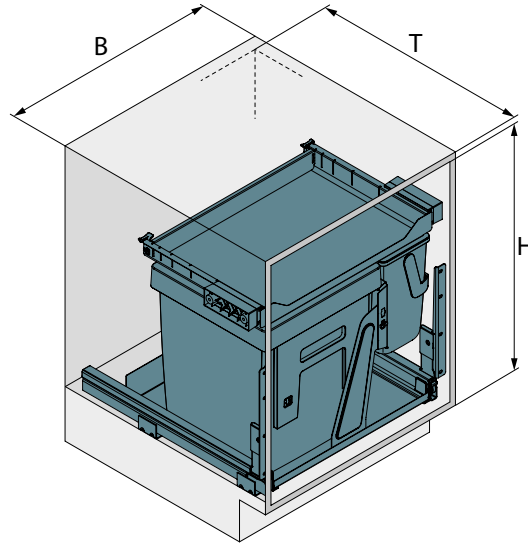


Complete mechanism set, including sliding system (load capacity of 110 kg) height - adjustable, for side panels measuring 16 and 19 mm.



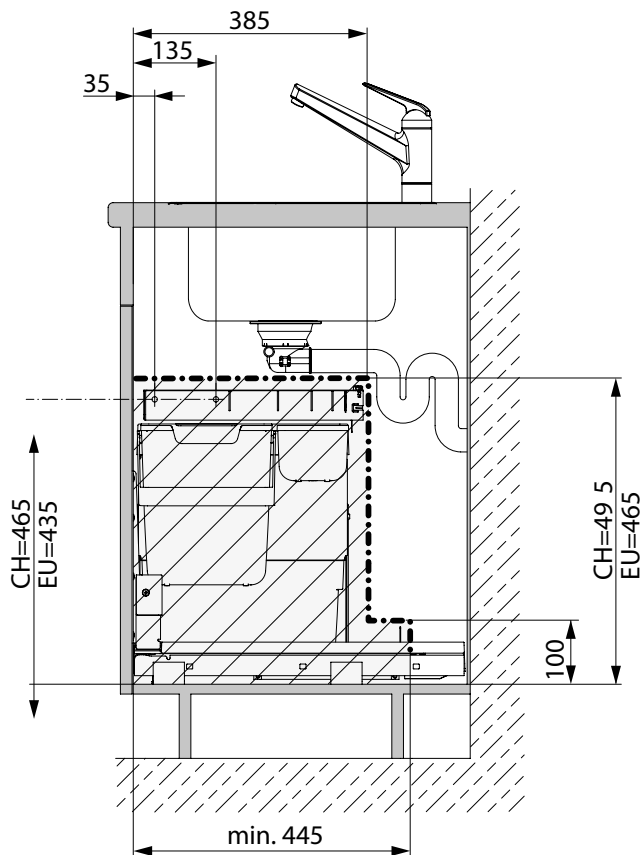
- Set includes:
- 1 x 40 litre waste bin
  - 1 x 6 litre compost bin including lid
  - 1 x 1,2 litre multi-purpose container
  - 1 x Divider panel
  - 1 x Sliding system with Softopen and Softclose
  - 1 x Pull-out metal shelf
  - Set of assembly material

**Finishes available: Anthracite**  
- for 40+6+1.2 litres ( 200.1660.43 )



Oeko Complet  
with pull-out metal shelf

B= Unit widths	600 mm
T= Interior depth	545 mm
H= Interior height	465 mm



Depth = length of the guide rail

Installation depth 540 mm = standard unit